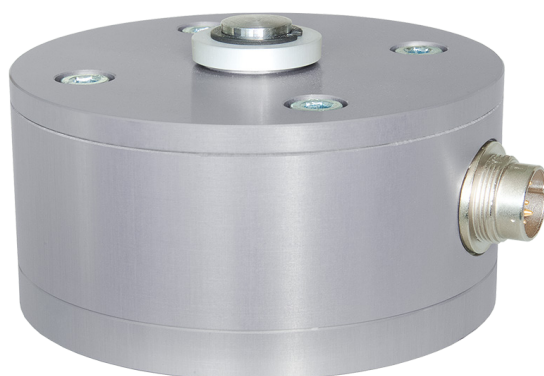


Compression Load Cell W-2752 with a Rated Load of 3 ... 5 kg



Performance Features

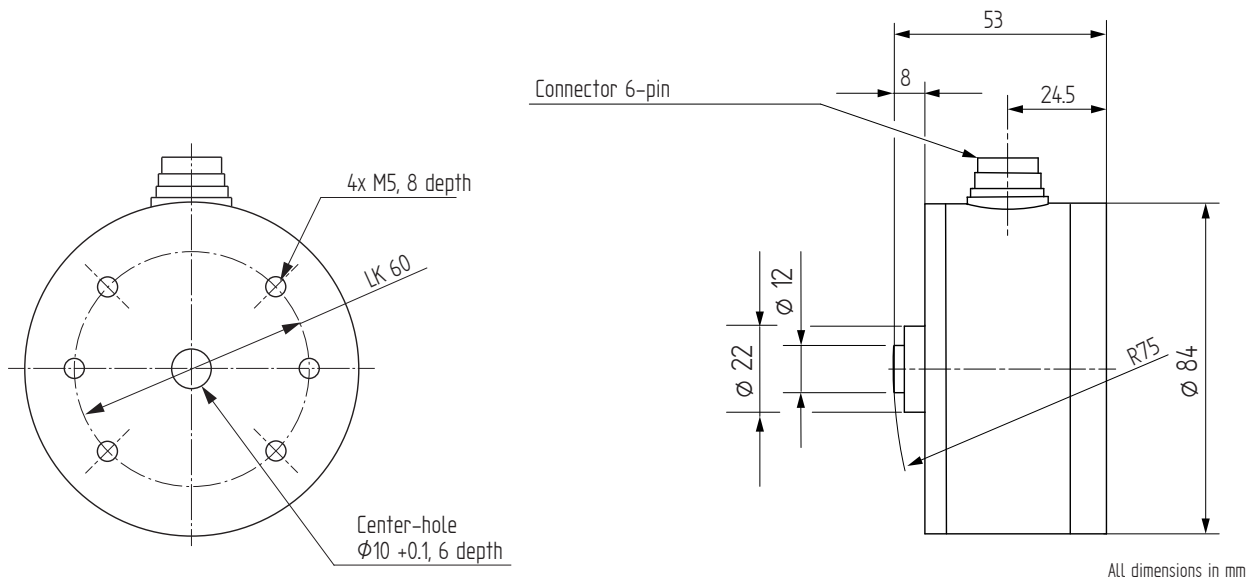
- Compression Load Cell Material Aluminum, Protection Class IP 60
- Accuracy class: 0.1 %
- Rated Load 3...5 kg
- Overload Protection

Application

- Food industry
- Jewelry industry
- Coal and steel industry
- Chemical / pharmaceutical industry



Dimensions in mm



Article-No.	Version	Rated Load [kg]
119529	-	3
119530	-	5

Connection Assignment

6-pin	W-2752	Series 723
Pin 1	Excitation (-)	
Pin 2	Excitation (+)	
Pin 3	Shielding	
Pin 4	Signal (+)	
Pin 5	Signal (-)	
Pin 6	Control signal (option)	

Technical Data

Type	W-2752	
Version		-
Rated Load E	kg	3; 5
Maximum load for approved weighing E_{max}	kg	-
Accuracy class OIML R60		-
Maximum numbers of load cell intervals n_{max}	d OIML	-
Minimum verification interval v_{min}	g	-
Creep division factor $Z = E_{max}/2 \times DR$		-
Combined error	% E	±0.1
Temperature coefficient of zero signal	% E/°C	±0.1
Temperature coefficient of characteristic value	% E/°C	±0.015
Load creep d_{cr, F} in 30 min.	% E	±0.1
Zero balance	% E	±1
Rated output at E C_{nom}	mV/V	1.3 ±15 %
Rated range of excitation voltage B_{U, nom}	V	1 ... 15
Input resistance R_e	Ω	1000 ±25
Output resistance R_a	Ω	1000 ±25
Insulation resistance R_{is}	MΩ/50V	1000
Electrical connection		6-Pin Flange connector Serie 723
Rated temperature range B_{T, nom}	°C	-10 ... 40
Operating temperature range B_{T, G}	°C	-20 ... 60
Limit load E_{lim}	% E _{max}	150
Breaking load E_b	% E _{max}	200
Tightening torque	Nm	5
Maximum platform dimension	mm	-
Level of protection		IP60
Material		Aluminum
Weight	kg	0.065

Options

Article-No	Description	
100218	Control signal	100 % F _{nom}

Accessories

Weighing Electronics

ALCJB-A	CPJ/CPJ2S	IPE50 Panel
		

Further suitable accessories you can find on our homepage under:

https://www.lorenz-messtechnik.de/english/products/lc_weighing-electronics.php